

OPzV Series

12 OPzV 1200 2V1200Ah

Sacred Sun OPzV series are valve regulated lead-acid cells which use a combination of tubular positive plate woven gauntlets, pasted negative plate design and gel electrolyte using advanced filling techniques in production which assure superior service life and excellent battery reliability. The battery has excellent cyclic performance and charge acceptance ability. It can be used in high-low temperature environment and poor grid condition.

Benefits

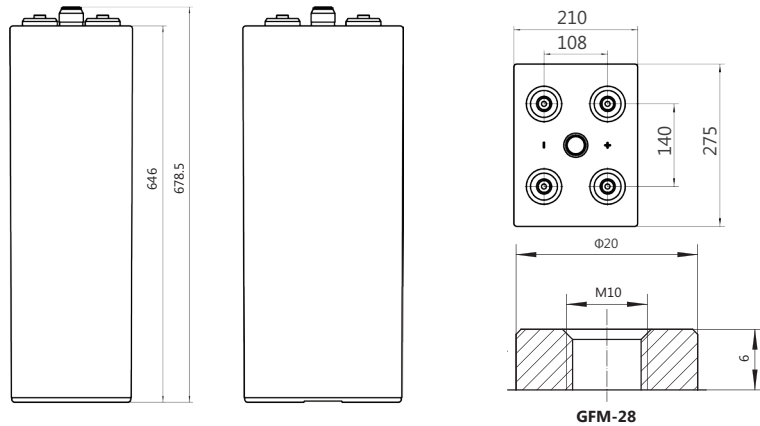
- Very long life according to EUROBAT Classification
- 1500+ cycles at 80% DOD
- High rate discharge performance
- High gas recombination efficiency
- Maximum charge efficiency
- GEL state electrolyte prevents leakage and layering
- Low resistance PVC or PF micro-porous separator ensures low self-discharge rate
- Optional racking offers easy installation (vertical or horizontal)



Applications

- Telecommunications
- Energy storage system
- Hybrid power system
- Power system
- UPS

Drawing



Standards

- IEC 60896-21/22
- IEC 61427
- DIN 43539-T5
- DIN 40742
- EUROBAT guide

Specifications

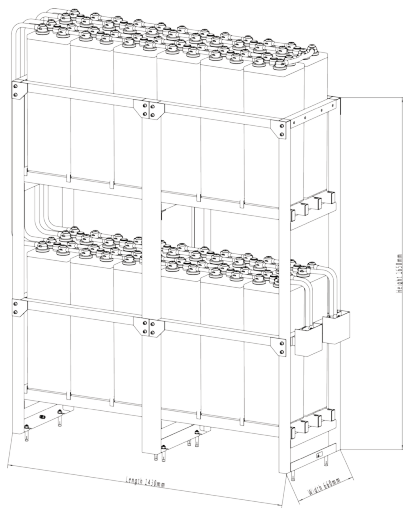
Battery Model	12 OPzV 1200			
Design Life (years, 25°C)	20			
Capacity (Ah, 25°C)	10HR (120A, 1.80V)	5HR (204A, 1.80V)	3HR (300A, 1.80V)	1HR (600A, 1.80V)
	1200	1020	900	600
Dimensions (mm)	Length	Width	Height	Total Height
	275	210	646	678.5
Approx. Weight (kg)	88.0			
Reference Internal Resistance (mΩ)	0.32 (fully charged @ 25°C)			
Maximum Discharge Current (A/3 Sec.)	4355			
Self-Discharge (25°C)	≤ 3% per month			
Charge Voltage (V/cell, 25°C)	Cycle use		Float use	
	2.35 (-3.5mV/°C/cell), max charge current: 240A		2.25 (-3.5mV/°C/cell)	
Short Circuit Current (A)	6400			

Discharge Data

Constant Current Discharge Data (25°C, A)													
End Voltage (V/cell)	h												
	1	2	3	5	6	8	10	20	24	48	100	120	240
1.65	692	452.0	353.2	243.2	206.0	159.2	135.6	71.0	60.30	32.40	15.56	13.08	6.78
1.70	660	428.0	334.4	230.0	194.4	152.8	130.8	69.4	59.40	31.96	15.52	13.02	6.76
1.75	632	404.0	316.8	218.0	187.2	146.8	126.0	66.0	57.60	31.56	15.48	12.96	6.72
1.80	600	381.6	300.0	204.0	174.4	141.2	120.0	64.4	53.88	31.20	15.40	12.90	6.68
1.85	572	361	284.0	195.6	168.4	133.6	113.6	62.6	53.4	30.76	15.35	12.84	6.66

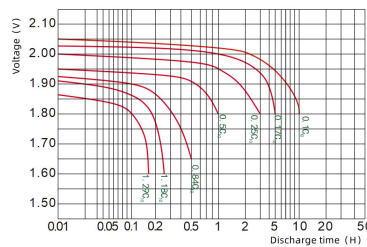
Constant Power Discharge Data (25°C, W/cell)													
End Voltage (V/cell)	h												
	1	2	3	5	6	8	10	20	24	48	100	120	240
1.65	1185.2	789.0	591.0	482.8	408.5	328.5	264.9	140.8	120.96	64.80	31.40	26.20	13.60
1.70	1148.4	759.0	570.0	465.7	394.2	317.1	261.7	138.0	119.20	64.00	31.05	26.04	13.53
1.75	1128.0	741.0	558.0	454.2	382.8	308.5	252.0	136.0	115.14	63.20	30.98	25.94	13.44
1.80	1098.0	724.0	549.0	422.8	357.1	297.1	246.0	133.4	108.00	62.40	30.83	25.80	13.38
1.85	1057.9	693.0	525.0	385.7	340.0	275.7	232.3	129.1	106.44	61.50	30.66	25.72	13.32

Rack Layout

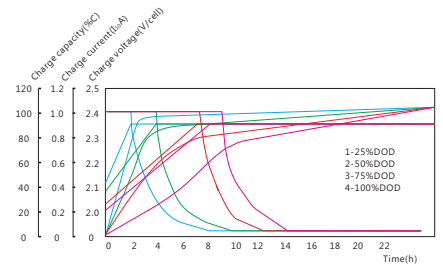


48V Standard Rack
 Rack material: powder-coated steel
 Height*width: 2*2
 Ref. 12 OPzV 1200 Rack (approx. weight: 2380kg)

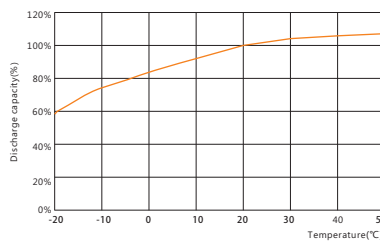
Performance Curve



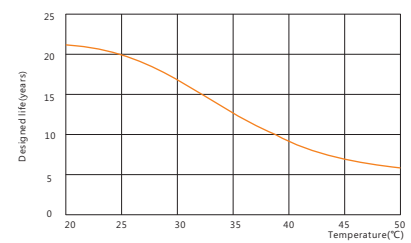
Discharge voltage vs. discharge time



Charge vs. discharge depth



Capacity vs. temperature



Design life vs. temperature

Sacred Sun Power Sources Co., Ltd.

Add: No.1 Shengyang Road, Qufu 273100 PRC
 Tel: +86-537-4422313 Fax: +86-537-4411980
 Email: sales@sacredsun.cn

Sacred Sun Hong Kong Co., Limited

Add: RM 19C Lockhart CTR 301-307 Lockhart RD Wan Chai, Hong Kong
 Email: admin.hk@sacredsun.hk

Sacred Sun Asia Pacific Pte Ltd.

Add: 1 Ubi View, #04-12, Focus One, Singapore 408555
 Email: admin.sg@sacredsun.sg

Sacred Sun Europe SARL

Add: ZAE Fontaine, 33210 Fargues, France
 Email: admin.eu@sacredsun.eu

Sacred Sun MEA FZE

Add: No. 311 office, Building LOB 14, JAFZA, Dubai, UAE
 Email: admin.ae@sacredsun.ae