

HTB Series

GFM-500HTE 2V500Ah

Sacred Sun HTB VRLA battery uses latest AGM technology designed for high temperature resistant performance with good cycle life and fast charging acceptance ability. Its average temperature can be 35-40 C. HTB's reduced needs for cooling saves energy and reduces cost. It is suitable for high temperature environments both in floating and cyclic applications.



Benefits

- Long life according to EUROBAT Classification
- Specifically designed for semi-stable mains
- High discharge performance
- 99%+ gas recombination efficiency
- Maximum charge efficiency
- Low self-discharge rate
- Easy installation and handling

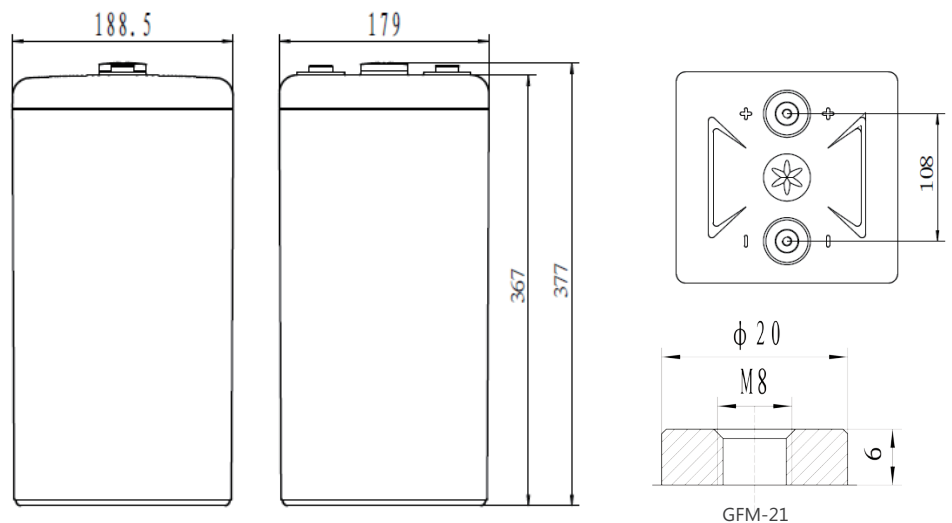
Applications

- High temperature BTS
- Unstable grid BTS
- Remote area BTS
- Solar (Wind) energy storage system

Standards

- JIS C8704-1
- JIS C8704-2
- IEC 60896-21/22
- IEC 61427
- EUROBAT guide

Drawing



Specifications

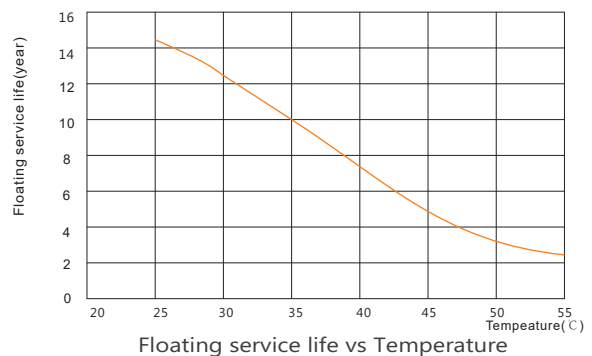
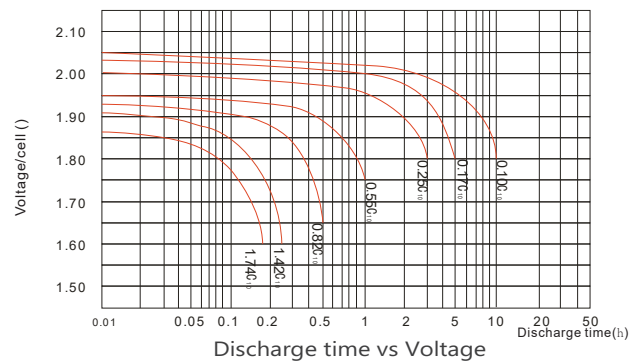
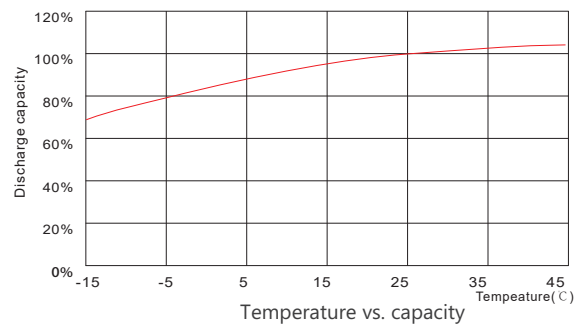
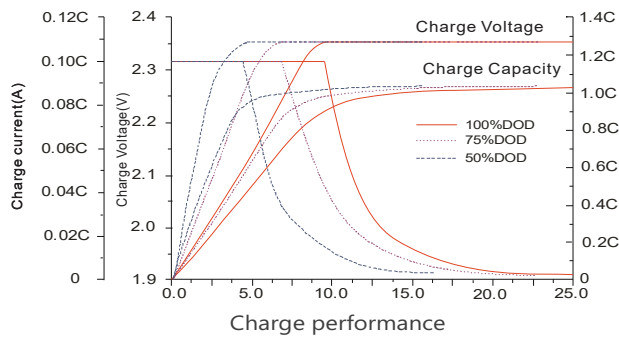
Battery Model	GFM-500HTE			
Design Life (years, 35°C)	10			
Capacity (Ah, 35°C)	10HR (50.7A, 1.80V)	5HR (92A, 1.80V)	3HR (134A, 1.80V)	1HR (284A, 1.75V)
	507	460	402	284
Dimensions (mm)	Length	Width	Height	Total Height
	188.5	179	367	377
Approx. Weight (kg)	30.8			
Reference Internal Resistance (mΩ)	0.29 (fully charged @ 25°C)			
Maximum Discharge Current (A/5 Sec.)	2600			
Self-Discharge (25°C)	≤1.0 % per month			
Charge Voltage (V/cell, 25°C)	Cycle use		Float use	
	2.35 (-3.5mV/°C/cell), max charge current: 100A		2.25 (-3.5mV/°C/cell)	
Short Circuit Current (A)	6000			

Discharge Data

Constant Current Discharge Data (35°C, A)												
End Voltage (V/cell)	min	h										
	30	1	2	3	4	5	6	8	10	24	48	100
1.75	422	295	183	136	114	93	82.0	65.4	54.4	24.2	12.7	6.9
1.80	405	284	178	134	113	92	81.0	64.7	50.7	24.0	12.2	6.8
1.85	380	259	174	131	110	90	79.8	63.3	49.3	23.7	11.8	6.5
1.88	325	218	166	111	97	84	79.0	56.8	46.7	21.3	10.9	6.0
1.90	284	203	156	106	94	83	78.5	55.9	45.7	20.3	10.6	5.9

Constant Power Discharge Data (35°C, W/cell)												
End Voltage (V/cell)	min	h										
	30	1	2	3	4	5	6	8	10	24	48	100
1.75	767	539	356	264	189	181	161	132	110	47.2	24.9	12.9
1.80	719	521	345	258	180	178	159	131	108	45.8	24.1	12.6
1.85	673	470	302	233	165	167	155	120	101	43.6	22.6	12.2
1.88	600	429	280	224	157	158	152	118	98	42.7	21.7	11.9
1.90	519	367	258	188	148	147	148	113	94	41.1	20.7	11.4

Performance Curve



Sacred Sun Power Sources Co., Ltd.

Add: No.1 Shengyang Road, Qufu 273100 PRC
Tel: +86-537-4422313 Fax: +86-537-4411980
Email: sales@sacredsun.cn

Sacred Sun Hong Kong Co., Limited

Add: RM 19C Lockhart CTR 301-307 Lockhart RD Wan Chai, Hong Kong
Email: admin.hk@sacredsun.hk

Sacred Sun Asia Pacific Pte Ltd.

Add: 1 Ubi View, #04-12, Focus One, Singapore 408555
Email: admin.sg@sacredsun.sg

Sacred Sun Europe SARRL

Add: ZAE Fontaine, 33210 Fargues, France
Email: admin.eu@sacredsun.eu

Sacred Sun MEA FZE

Add: No. 311 office, Building LOB 14, JAFZA, Dubai, UAE
Email: admin.ae@sacredsun.ae