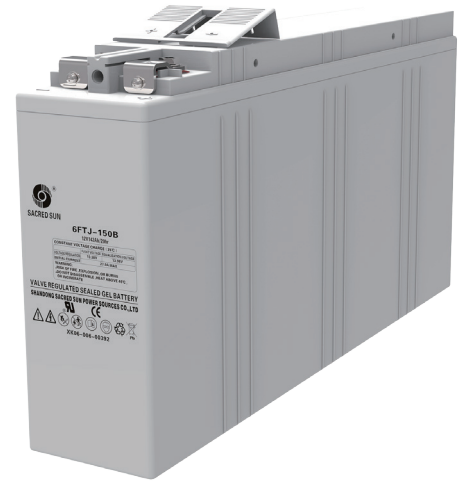


# FTJ Series

## 6FTJ-150B 12V150Ah

FTJ VRLA front terminal flat plate gel battery has good heat dissipation and floating standby performance. Its specially designed gas gathering and exhaust system effectively ensures security of the system. FTJ series is designed especially for 19" and 23" power supply cabinets mainly used in small outdoor base stations. It is suitable for harsh environment of high-low temperature and poor grid conditions.



### Benefits

- Long life according to EUROBAT Classification
- High discharge performance
- High gas recombination efficiency
- Maximum charge efficiency
- GEL state electrolyte prevents leakage and layering
- Low resistance PVC or PF micro-porous separator ensure Low self-discharge rate
- Easy installation and handling
- Centralized venting system

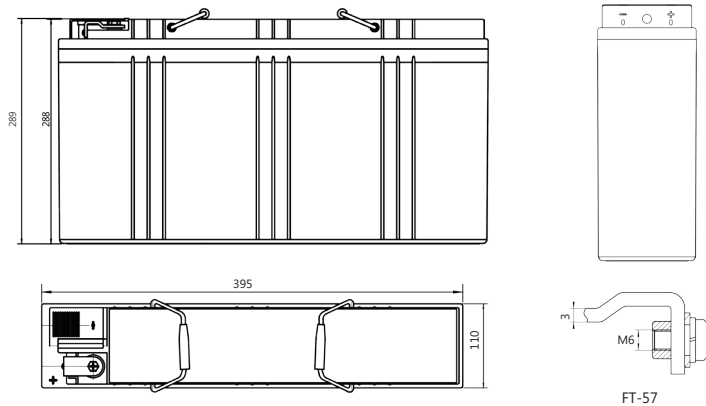
### Applications

- Telecommunications
- Power system
- UPS
- Emergency power

### Standards

- IEC 60896-21/22
- DIN43539-T5
- EUROBAT guide

### Drawing



### Specifications

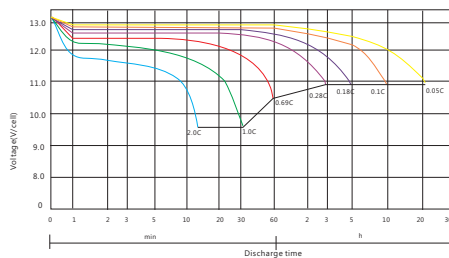
Battery Model	6FTJ-150B			
Design Life (years, 25°C)	12			
Capacity (Ah, 25°C)	20HR (7.5A, 1.75V)	10HR (13.5A, 1.80V)	5HR (23.3A, 1.80V)	1HR(65.6A, 1.80V)
	150	135	116.5	65.6
Dimensions (mm)	Length	Width	Height	Total Height
	551	110	288	288
Approx. Weight (kg)	45.0			
Reference Internal Resistance (mΩ)	4.33 ( fully charged @ 25°C)			
Maximum Discharge Current (A/3 Sec.)	1196			
Self-Discharge (25°C)	≤ 2% per month			
Charge Voltage (V/cell, 25°C)	Cycle use		Float use	
	2.33 (-3.5mV/°C/cell), max charge current: 27A		2.22 (-3.5mV/°C/cell)	
Short Circuit Current (A)	2700			

## Discharge Data

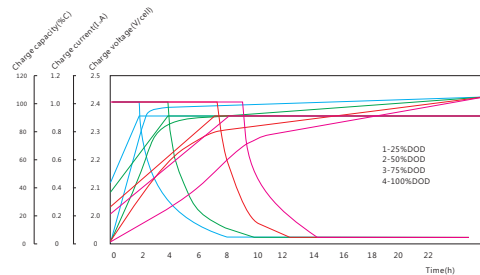
Constant Current Discharge Data (25°C, A)																
End Voltage (V/cell)	min						h									
	5	10	15	20	30	45	1	1.5	2	3	4	5	6	8	10	20
1.60	402	294	229	192	146	100	78.0	64.7	49.5	39.2	32.0	25.8	25.4	19.6	14.8	7.93
1.65	383	284	219	185	141	96.3	74.3	63.3	48.0	38.1	31.2	25.2	24.7	19.2	14.5	7.78
1.70	361	269	209	176	135	92.3	71.9	61.5	46.6	36.5	30.5	24.3	23.9	18.7	14.2	7.65
1.75	347	256	201	167	130	89.3	69.0	59.6	45.3	36.0	29.6	23.7	23.4	18.2	13.9	7.50
1.80	323	238	191	158	123	84.1	65.6	57.3	43.5	34.9	28.5	23.3	22.7	17.7	13.5	7.20

Constant Power Discharge Data (25°C, W/cell)																
End Voltage (V/cell)	min						h									
	5	10	15	20	30	45	1	1.5	2	3	4	5	6	8	10	20
1.60	696	512	399	338	258	176	139	116	88.6	71.0	58.5	47.7	47.3	36.9	28.3	15.5
1.65	666	498	384	328	250	171	133	114	86.9	69.7	57.7	46.9	46.1	36.2	28.1	15.3
1.70	631	479	370	315	243	167	131	113	85.3	67.6	56.9	45.4	45.3	35.5	27.8	15.2
1.75	614	460	358	306	237	164	127	110	84.3	67.3	55.8	44.8	44.9	35.0	27.5	15.0
1.80	590	433	348	292	228	157	123	108	82.7	66.6	54.7	44.4	43.9	34.5	27.0	14.6

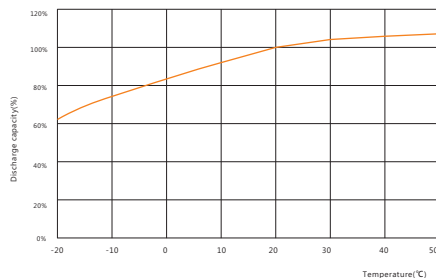
## Performance Curve



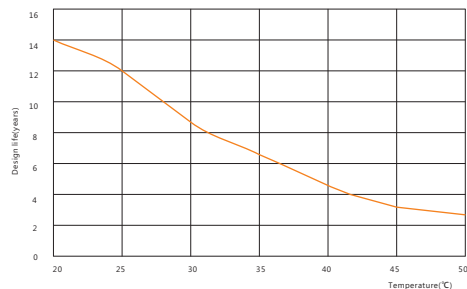
Discharge voltage vs. discharge time



Charge capacity vs. charge time



Discharge capacity vs. temperature



Design life vs. temperature

### Sacred Sun Power Sources Co., Ltd.

Add: No.1 Shengyang Road, Qufu 273100 PRC  
Tel: +86-537-4422313 Fax: +86-537-4411980  
Email: sales@sacredsun.cn

### Sacred Sun Hong Kong Co., Limited

Add: RM 19C Lockhart CTR 301-307 Lockhart RD Wan Chai, Hong Kong  
Email: admin.hk@sacredsun.hk

### Sacred Sun Asia Pacific Pte Ltd.

Add: 1 Ubi View, #04-12, Focus One, Singapore 408555  
Email: admin.sg@sacredsun.sg

### Sacred Sun Europe SARL

Add: ZAE Fontaine, 33210 Fargues, France  
Email: admin.eu@sacredsun.eu

### Sacred Sun MEA FZE

Add: No. 311 office, Building LOB 14, JAFZA, Dubai, UAE  
Email: admin.ae@sacredsun.ae