

HRL Series

HRL12-440W 12V98Ah

Sacred Sun HRL batteries adopt new appearance and constructure design, automatically welding+throug the partition welding+heat sealing technolgy, full automatic production process with good consistency. It has excellent high power discharge, long floating backup time and fast charging performance. It can be widely used in data center, UPS, IDC room.



Benefits

- Very long life according to EUROBAT Classification
- High power density, 30% higher than ordinary batteries
- Special lead paste formual and additives improve the battery service life
- Maximum charge efficiency
- Low self-discharge rate
- Wide range of power, easy sizing of batteries
- Easy installation and handling

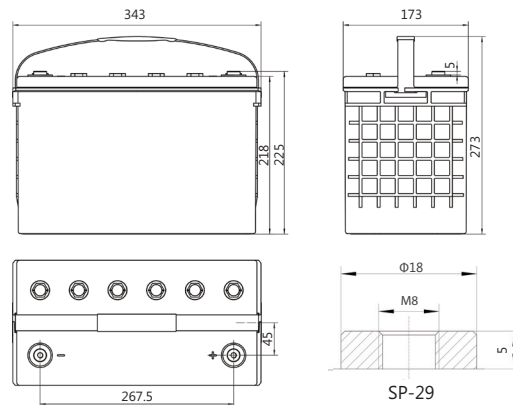
Applications

- Data center
- UPS
- IDC room
- Emergency power
- HVDC system

Standards

- IEC 60896-21/22
- JIS C8704-1/2
- EUROBAT guide

Drawing



Specifications

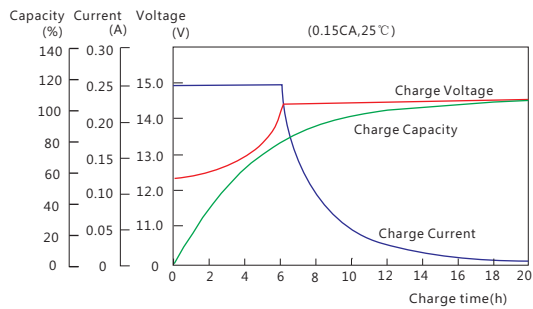
Battery Model	HRL12-440W			
Design Life (years, 25°C)	15			
Capacity (Ah, 25°C)	10min (1.60V)	15min (1.67V)	1HR (64.2A, 1.70V)	10HR(9.8A, 1.80V)
	550	440	64.2	98
Dimensions (mm)	Length	Width	Height	Total Height
	343	173	218	225
Approx. Weight (kg)	33			
Reference Internal Resistance (mΩ)	2.3 (fully charged @ 25°C)			
Maximum Discharge Current (A/3 Sec.)	1270			
Self-Discharge (25°C)	≤ 2% per month			
Charge Voltage (V/cell, 25°C)	Cycle use		Float use	
	2.35(-3.5mV/°C/cell), max charge current: 24.5A		2.25 (-3.5mV/°C/cell)	
Short Circuit Current (A)	4200			

Discharge Data

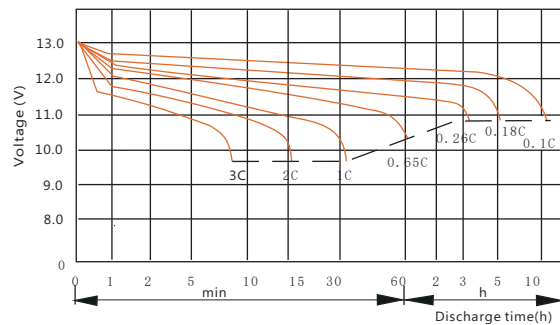
Constant Power Discharge Data (25°C, W/cell)																
End Voltage (V/cell)	min							h								
	5	10	15	20	25	30	45	1	1.5	2	3	4	5	6	8	10
1.60	725	550	450	360	300	245	188	130	107	83.0	59.0	45.4	37.8	32.6	25.8	21.2
1.65	710	545	445	354	296	240	186	128	106	82.3	58.6	45.0	37.6	32.4	25.6	21.0
1.67	700	540	440	348	290	238	183	126	105	81.7	58.2	44.7	37.4	32.2	25.5	20.8
1.70	690	530	430	343	286	234	180	124	103	81.0	57.7	44.3	37.0	31.8	25.2	20.6
1.75	660	515	410	327	272	224	173	120	100	79.2	56.4	43.3	36.3	31.2	24.7	20.3
1.80	620	480	380	307	256	212	164	114	96.5	77.0	55.0	42.0	35.3	30.5	24.0	19.8

Constant Current Discharge Data (25°C, A)																
End Voltage (V/cell)	min							h								
	5	10	15	20	25	30	45	1	1.5	2	3	4	5	6	8	10
1.60	420	324	254	198	163	130	99.3	67.8	55.3	42.8	30.4	23.4	19.4	16.7	13.2	10.8
1.65	400	317	248	194	160	128	97.4	66.5	54.5	42.4	30.0	23.0	19.2	16.5	13.0	10.7
1.67	390	310	244	190	157	126	95.8	65.5	53.8	42.0	29.8	22.8	19.0	16.4	12.8	10.6
1.70	380	304	238	186	153	124	93.7	64.2	52.8	41.4	29.4	22.6	18.8	16.2	12.7	10.5
1.75	360	288	224	175	144	117	88.8	61.2	50.8	40.2	28.6	21.8	18.3	15.7	12.4	10.2
1.80	340	268	208	162	133	108	83.3	57.7	48.5	38.7	27.5	21.0	17.6	15.2	12.0	9.8

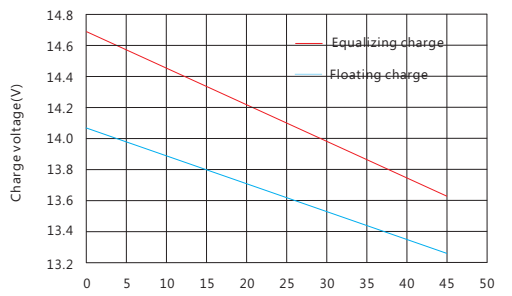
Performance Curve



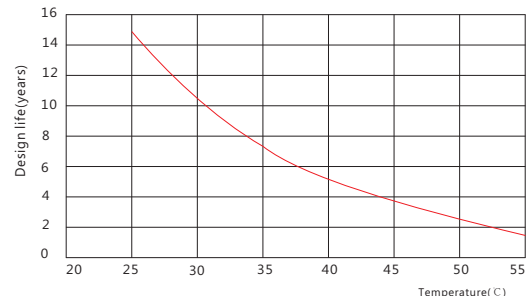
Charge performance



Discharge voltage vs. discharge time



Temperature vs. charge voltage



Design life vs. temperature

Sacred Sun Power Sources Co., Ltd.

Add: No.1 Shengyang Road, Qufu 273100 PRC
Tel: +86-537-4422313 Fax: +86-537-4411980
Email: sales@sacredsun.cn

Sacred Sun Hong Kong Co., Limited

Add: RM 19C Lockhart CTR 301-307 Lockhart RD Wan Chai, Hong Kong
Email: admin.hk@sacredsun.hk

Sacred Sun Asia Pacific Pte Ltd.

Add: 1 Ubi View, #04-12, Focus One, Singapore 408555
Email: admin.sg@sacredsun.sg

Sacred Sun Europe SARL

Add: ZAE Fontaine, 33210 Fargues, France
Email: admin.eu@sacredsun.eu

Sacred Sun MEA FZE

Add: No. 311 office, Building LOB 14, JAFZA, Dubai, UAE
Email: admin.ae@sacredsun.ae