

HRL Series

HRL12-550W 12V140Ah

Sacred Sun HRL batteries adopt new appearance and constructure design, automatically welding+throug the partition welding+heat sealing technolgy, full automatic production process with good consistency. It has excellent high power discharge, long floating backup time and fast charging performance. It can be widely used in data center, UPS, IDC room.



Benefits

- Very long life according to EUROBAT Classification
- High power density, 30% higher than ordinary batteries
- Special lead paste formual and additives improve the battery service life
- Maximum charge efficiency
- Low self-discharge rate
- Wide range of power, easy sizing of batteries
- Easy installation and handling

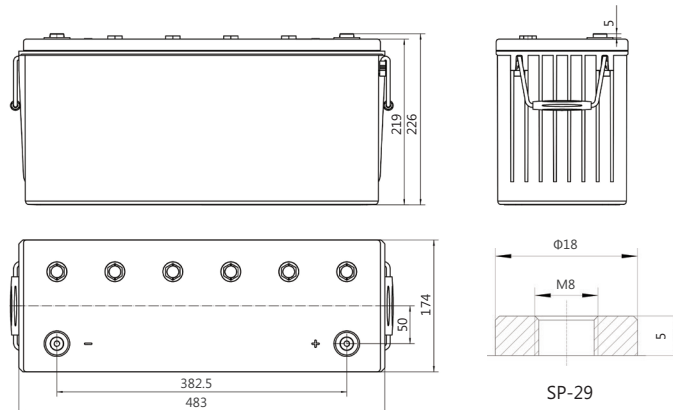
Applications

- Data center
- UPS
- IDC room
- Emergency power
- HVDC system

Standards

- IEC 60896-21/22
- JIS C8704-1/2
- EUROBAT guide

Drawing



Specifications

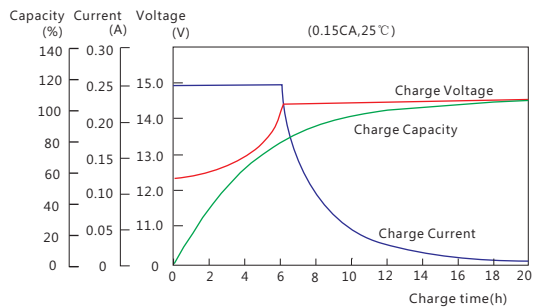
Battery Model	HRL12-550W			
Design Life (years, 25°C)	15			
Capacity (Ah, 25°C)	10min (1.60V)	15min (1.67V)	1HR (99A, 1.70V)	10HR(14.0A, 1.80V)
	724	550	99	140
Dimensions (mm)	Length	Width	Height	Total Height
	483	174	219	226
Approx. Weight (kg)	45.4			
Reference Internal Resistance (mΩ)	2.5 (fully charged @ 25°C)			
Maximum Discharge Current (A/3 Sec.)	1630			
Self-Discharge (25°C)	≤ 2% per month			
Charge Voltage (V/cell, 25°C)	Cycle use		Float use	
	2.35(-3.5mV/°C/cell), max charge current: 35A		2.25 (-3.5mV/°C/cell)	
Short Circuit Current (A)	4300			

Discharge Data

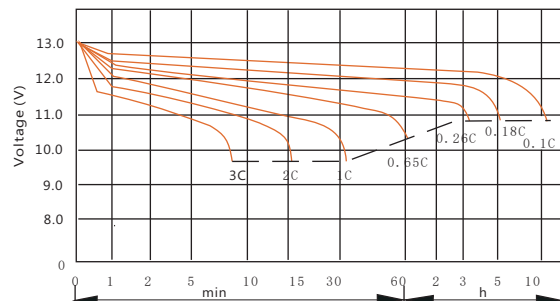
Constant Power Discharge Data (25°C, W/cell)																
End Voltage (V/cell)	min							h								
	5	10	15	20	25	30	45	1	1.5	2	3	4	5	6	8	10
1.60	940	724	561	468	406	343	259	197	148	111	82.2	61.6	52.7	45.4	35.9	29.6
1.65	929	717	555	463	401	338	256	196	147	110	81.8	61.3	52.4	45.2	35.7	29.4
1.67	920	711	550	458	397	334	254	194	146	110	81.5	61.0	52.2	45.0	35.6	29.3
1.70	909	703	543	452	391	328	251	193	145	109	81.1	60.7	51.9	44.7	35.4	29.1
1.75	882	684	527	438	377	314	245	188	142	108	80.0	59.8	51.3	44.2	34.9	28.7
1.80	849	662	507	420	360	298	237	183	139	106	78.8	58.8	50.5	43.5	34.4	28.3

Constant Current Discharge Data (25°C, A)																
End Voltage (V/cell)	min							h								
	5	10	15	20	25	30	45	1	1.5	2	3	4	5	6	8	10
1.60	553	414	315	258	221	183	136	103	76.8	57.4	42.4	31.7	27.0	23.2	18.3	15.0
1.65	544	407	310	254	217	180	134	101	76.0	56.9	42.0	31.4	26.8	23.0	18.1	14.9
1.67	537	402	305	250	213	177	133	100	75.3	56.5	41.7	31.2	26.6	22.9	18.0	14.8
1.70	528	396	299	245	209	173	131	99	74.4	55.9	41.4	30.9	26.4	22.7	17.9	14.7
1.75	506	380	286	234	199	164	126	95.9	72.4	54.7	40.5	30.2	25.8	22.2	17.5	14.4
1.80	481	363	270	221	188	153	120	92.4	70.0	53.2	39.5	29.4	25.2	21.7	17.1	14.0

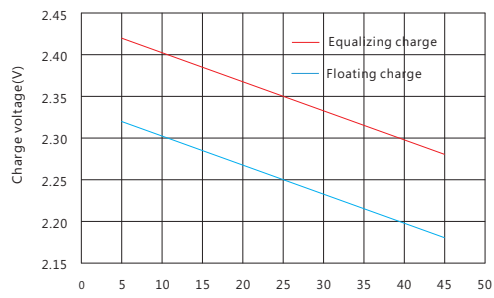
Performance Curve



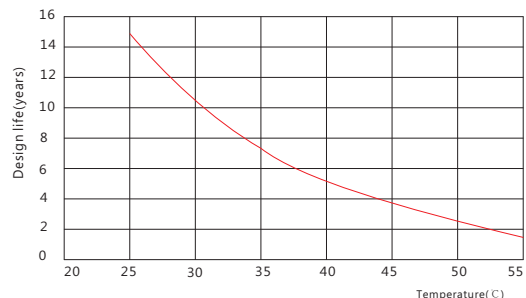
Charge performance



Discharge voltage vs. discharge time



Temperature vs. charge voltage



Design life vs. temperature

Sacred Sun Power Sources Co., Ltd.

Add: No.1 Shengyang Road, Qufu 273100 PRC
Tel: +86-537-4422313 Fax: +86-537-4411980
Email: sales@sacredsun.cn

Sacred Sun Hong Kong Co., Limited

Add: RM 19C Lockhart CTR 301-307 Lockhart RD Wan Chai, Hong Kong
Email: admin.hk@sacredsun.hk

Sacred Sun Asia Pacific Pte Ltd.

Add: 1 Ubi View, #04-12, Focus One, Singapore 408555
Email: admin.sg@sacredsun.sg

Sacred Sun Europe SARL

Add: ZAE Fontaine, 33210 Fargues, France
Email: admin.eu@sacredsun.eu

Sacred Sun MEA FZE

Add: No. 311 office, Building LOB 14, JAFZA, Dubai, UAE
Email: admin.ae@sacredsun.ae