

SPG Series

SPG12-215W 12V55Ah



SPG series VRLA battery uses AGM technology and high-purity raw materials. It has good high power discharge, floating backup and fast charging performance. It is mainly used in UPS/EPS standby power supply systems. It can backup power in poor operation environment.

Benefits

- Long life according to EUROBAT Classification
- Maximun charge efficiency
- High gas recombination efficiency
- Low self-discharge rate
- Horizontal or vertical installization

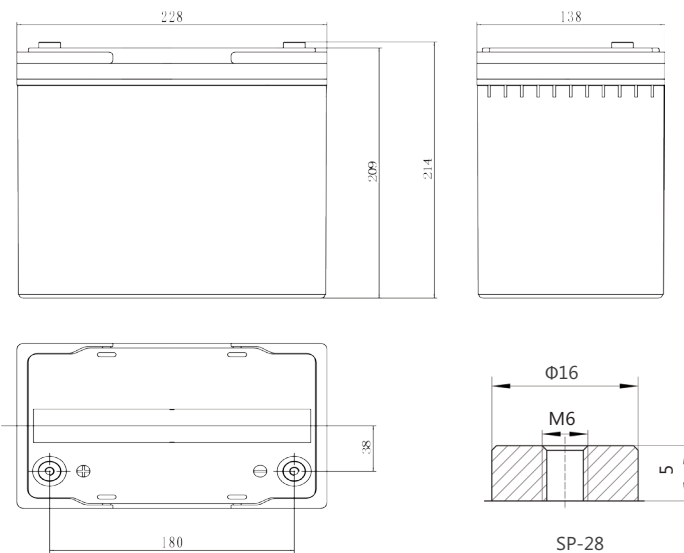
Applications

- UPS units
- Data center
- Starting generators
- EPS units

Standards

- IEC 60896-21/22
- JIS C8704-1/2
- EUROBAT guide

Drawing



Specifications

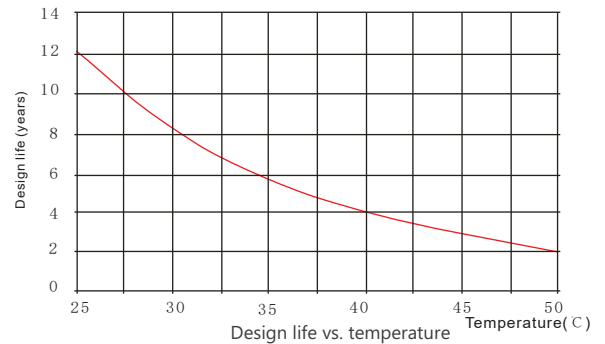
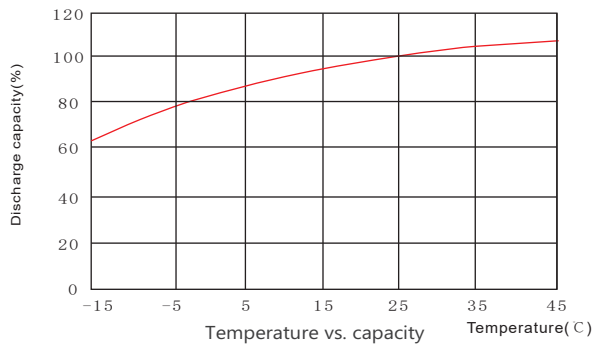
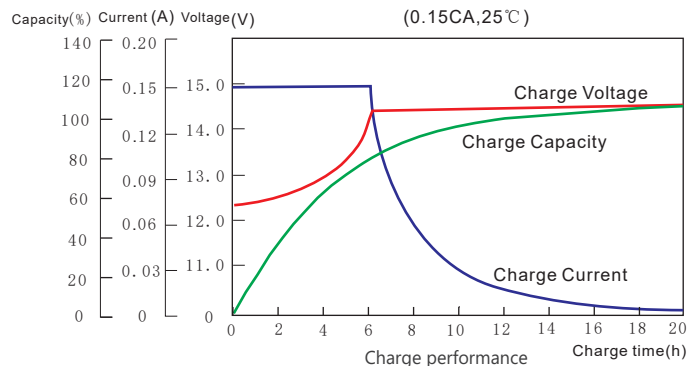
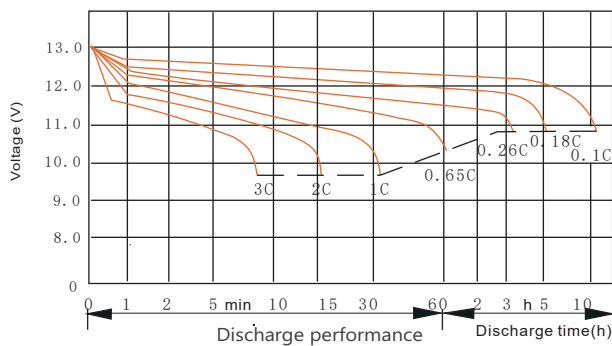
Battery Model	SPG12-215W			
Design Life (years, 25°C)	12			
Capacity (Ah, 25°C)	10min (1.60V) 260W/cell	15min (1.67V) 215W/cell	1HR (33A, 1.75V) 33Ah	10HR (5.5A, 1.80V) 55Ah
Dimensions (mm)	Length	Width	Height	Total Height
	228	138	209	214
Approx. Weight (kg)	17.2			
Reference Internal Resistance (mΩ)	6.4 (fully charged @ 25°C)			
Maximum Discharge Current (A/5 Sec.)	660			
Self-Discharge (25°C)	≤ 2% per months			
Charge Voltage (V/cell, 25°C)	Cycle use		Float use	
	2.40(-3.5mV/°C/cell), max charge current: 16.5A		2.27(-3.5mV/°C/cell)	
Short Circuit Current (A)	1850			

Discharge Data

Constant Current Discharge Data (25°C, A)													
End Voltage (V/cell)	min						h						
	10	15	20	25	30	45	1	1.5	2	3	5	6	10
1.60	143	119	101	84.0	69.8	51.9	38.1	27.7	21.9	16.4	11.0	9.48	6.12
1.65	139	114	95.7	80.1	66.9	50.3	36.1	26.5	21.0	15.9	10.7	9.22	5.95
1.67	134	110	93.7	78.3	65.3	48.3	35.3	25.9	20.6	15.6	10.6	9.11	5.88
1.70	130	107	91.3	76.2	63.5	47.3	34.3	25.3	20.2	15.3	10.4	8.99	5.80
1.75	122	101	87.1	72.4	60.0	46.3	33.0	24.1	19.3	14.8	10.1	8.74	5.64
1.80	112	97	83.0	68.7	56.6	43.8	30.9	23.0	18.5	14.3	9.68	8.52	5.50

Constant Power Discharge Data (25°C, W/cell)													
End Voltage (V/cell)	min						h						
	10	15	20	25	30	45	1	1.5	2	3	5	6	10
1.60	260	226	179	147	125	96.8	78.4	61.3	46.6	33.8	21.8	18.9	12.4
1.65	254	219	173	142	122	93.4	76.2	59.6	45.2	33.1	21.3	18.4	12.1
1.67	248	215	170	139	120	92.1	75.2	59.0	44.6	32.4	21.1	18.3	12.1
1.70	236	209	166	136	118	90.9	74.1	57.9	43.8	31.5	20.7	18.1	11.9
1.75	225	202	160	132	114	87.9	72.0	55.9	42.5	30.8	20.2	17.7	11.6
1.80	212	194	155	127	110	85.1	69.8	53.9	41.0	29.6	19.6	17.4	11.4

Performance Curve



Sacred Sun Power Sources Co., Ltd.

Add: No.1 Shengyang Road, Qufu 273100 PRC
 Tel: +86-537-4422313 Fax: +86-537-4411980
 Email: sales@sacredsunsun.cn

Sacred Sun Hong Kong Co., Limited

Add: RM 19C Lockhart CTR 301-307 Lockhart RD Wan Chai, Hong Kong
 Email: admin.hk@sacredsunsun.hk

Sacred Sun Asia Pacific Pte Ltd.

Add: 1 Ubi View, #04-12, Focus One, Singapore 408555
 Email: admin.sg@sacredsunsun.sg

Sacred Sun Europe SARRL

Add: ZAE Fontaine, 33210 Fargues, France
 Email: admin.eu@sacredsunsun.eu

Sacred Sun MEA FZE

Add: No. 311 office, Building LOB 14, JAFZA, Dubai, UAE
 Email: admin.ae@sacredsunsun.ae

