

HRL Series

HRL12-440W 12V98Ah

Sacred Sun HRL batteries adopt new appearance and constructure design, automatically welding+throug the partition welding+heat sealing technolgy, full automatic production process with good consistency. It has excellent high power discharge, long floating backup time and fast charging performance. It can be widely used in data center, UPS, IDC room.



Benefits

- Very long life according to EUROBAT Classification
- High power density, 30% higher than ordinary batteries
- Special lead paste formual and additives improve the battery service life
- Maximum charge efficiency
- Low self-discharge rate
- Wide range of power, easy sizing of batteries
- Easy installation and handling

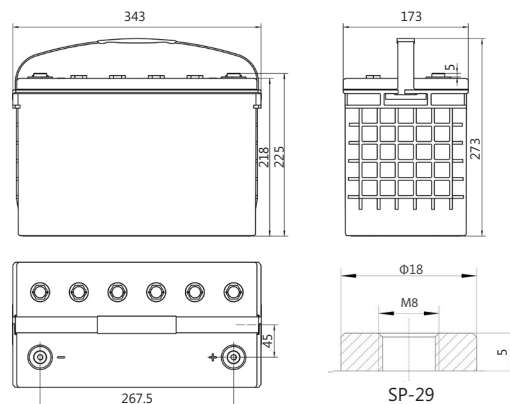
Applications

- Data center
- UPS
- IDC room
- Emergency power
- HVDC system

Standards

- IEC 60896-21/22
- JIS C8704-1/2
- EUROBAT guide

Drawing



Specifications

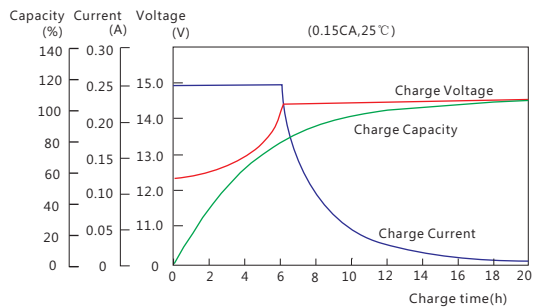
Battery Model	HRL12-440W			
Design Life (years, 25°C)	15			
Capacity (Ah, 25°C)	10min (1.60V)	15min (1.67V)	1HR (77.1A, 1.70V)	10HR(9.8A, 1.80V)
	560	440	77.1	98
Dimensions (mm)	Length	Width	Height	Total Height
	343	173	218	225
Approx. Weight (kg)	34.2			
Reference Internal Resistance (mΩ)	2.0 (fully charged @ 25°C)			
Maximum Discharge Current (A/3 Sec.)	1270			
Self-Discharge (25°C)	≤ 2% per month			
Charge Voltage (V/cell, 25°C)	Cycle use		Float use	
	2.35(-4mV/°C/cell), max charge current: 29.4A		2.27 (-3mV/°C/cell)	
Short Circuit Current (A)	3200			

Discharge Data

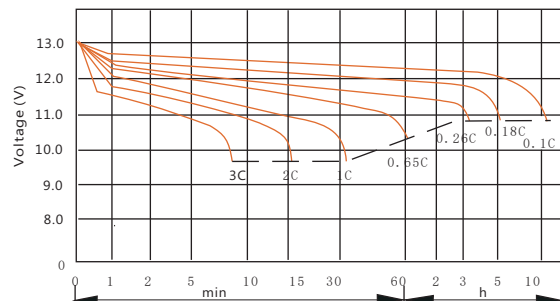
Constant Power Discharge Data (25°C, W/cell)																
End Voltage (V/cell)	min							h								
	5	10	15	20	25	30	45	1	1.5	2	3	4	5	6	8	10
1.60	725	560	452	380	323	273	202	155	106	80.1	59.0	44.5	37.9	32.6	25.9	21.3
1.65	714	552	445	374	317	267	199	154	105	79.5	58.6	44.1	37.6	32.4	25.6	21.1
1.67	704	545	440	369	312	262	196	152	104	78.9	58.2	43.8	37.4	32.2	25.5	21.0
1.70	692	537	432	362	306	256	193	150	102	78.1	57.7	43.3	37.0	31.9	25.2	20.8
1.75	662	516	414	347	291	242	186	146	99.2	76.3	56.4	42.3	36.3	31.2	24.7	20.3
1.80	626	491	392	328	273	225	177	140	95.5	74.2	55.0	41.1	35.3	30.5	24.1	19.8

Constant Current Discharge Data (25°C, A)																
End Voltage (V/cell)	min							h								
	5	10	15	20	25	30	45	1	1.5	2	3	4	5	6	8	10
1.60	427	320	254	209	175	145	106	80.7	54.8	41.4	30.4	22.9	19.4	16.7	13.2	10.8
1.65	418	314	248	205	171	142	104	79.4	54.0	40.9	30.1	22.6	19.2	16.5	13.0	10.7
1.67	411	309	244	201	168	139	103	78.4	53.3	40.5	29.8	22.4	19.0	16.4	12.9	10.6
1.70	402	302	238	197	164	135	101	77.1	52.4	40.0	29.4	22.1	18.8	16.2	12.7	10.5
1.75	380	287	224	185	154	126	95.8	74.1	50.4	38.7	28.6	21.4	18.3	15.7	12.4	10.2
1.80	355	269	209	172	142	115	90.2	70.6	48.0	37.2	27.5	20.6	17.6	15.2	12.0	9.8

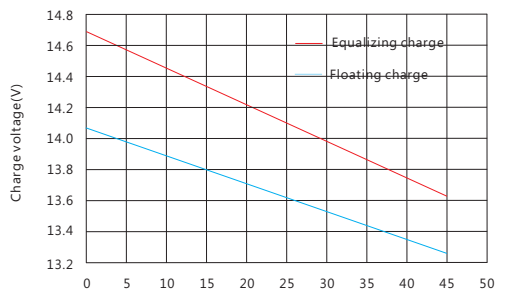
Performance Curve



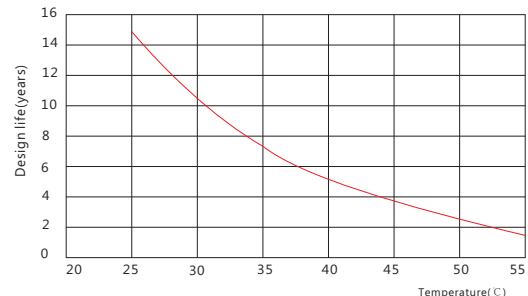
Charge performance



Discharge voltage vs. discharge time



Temperature vs. charge voltage



Design life vs. temperature

Sacred Sun Power Sources Co., Ltd.

Add: No.1 Shengyang Road, Qufu 273100 PRC
Tel: +86-537-4422313 Fax: +86-537-4411980
Email: sales@sacredsun.cn

Sacred Sun Hong Kong Co., Limited

Add: RM 19C Lockhart CTR 301-307 Lockhart RD Wan Chai, Hong Kong
Email: admin.hk@sacredsun.hk

Sacred Sun Asia Pacific Pte Ltd.

Add: 1 Ubi View, #04-12, Focus One, Singapore 408555
Email: admin.sg@sacredsun.sg

Sacred Sun Europe SARL

Add: ZAE Fontaine, 33210 Fargues, France
Email: admin.eu@sacredsun.eu

Sacred Sun MEA FZE

Add: No. 311 office, Building LOB 14, JAFZA, Dubai, UAE
Email: admin.ae@sacredsun.ae