

HRL Series

HRL12-500W 12V130Ah

Sacred Sun HRL batteries adopt new appearance and constructure design, automatically welding+throug the partition welding+heat sealing technolgy, full automatic production process with good consistency. It has excellent high power discharge, long floating backup time and fast charging performance. It can be widely used in data center, UPS, IDC room.



Benefits

- Very long life according to EUROBAT Classification
- High power density, 30% higher than ordinary batteries
- Special lead paste formual and additives improve the battery service life
- Maximum charge efficiency
- Low self-discharge rate
- Wide range of power, easy sizing of batteries
- Easy installation and handling

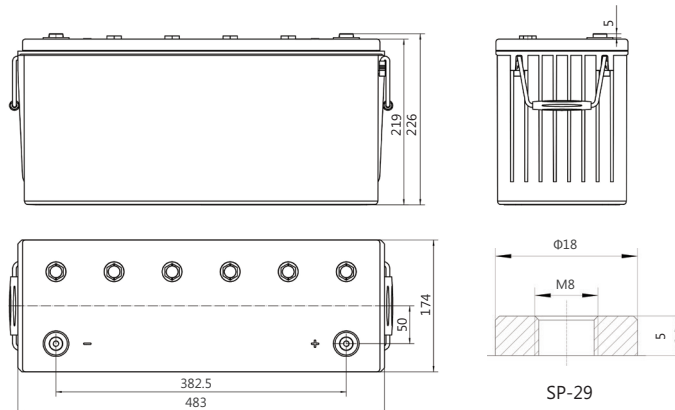
Applications

- Data center
- UPS
- IDC room
- Emergency power
- HVDC system

Standards

- IEC 60896-21/22
- JIS C8704-1/2
- EUROBAT guide

Drawing



Specifications

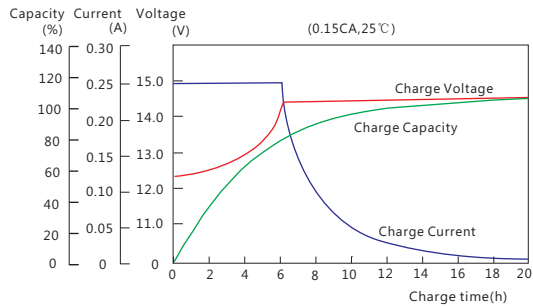
Battery Model	HRL12-500W			
Design Life (years, 25°C)	15			
Capacity (Ah, 25°C)	10min (1.60V)	15min (1.67V)	1HR (89.8A, 1.70V)	10HR(13.0A, 1.80V)
	640	500	89.8	130
Dimensions (mm)	Length	Width	Height	Total Height
	483	174	219	226
Approx. Weight (kg)	43.9			
Reference Internal Resistance (mΩ)	2.6 (fully charged @ 25°C)			
Maximum Discharge Current (A/3 Sec.)	1500			
Self-Discharge (25°C)	< 2% per month			
Charge Voltage (V/cell, 25°C)	Cycle use		Float use	
	2.35(-4mV/°C/cell), max charge current: 39A		2.27 (-3mV/°C/cell)	
Short Circuit Current (A)	3900			

Discharge Data

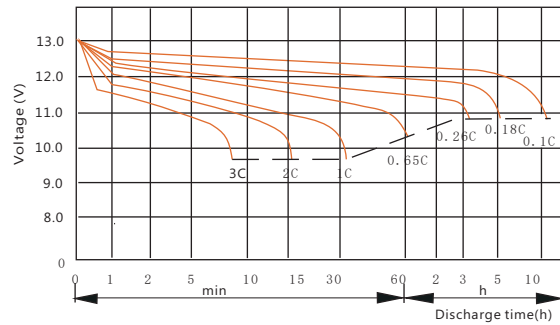
Constant Power Discharge Data (25°C, W/cell)																
End Voltage (V/cell)	min							h								
	5	10	15	20	25	30	45	1	1.5	2	3	4	5	6	8	10
1.60	840	640	512	435	377	306	240	180	139	104	75.6	57.5	49.1	42.3	33.5	27.6
1.65	829	632	505	429	371	301	238	178	138	103	75.2	57.2	48.9	42.1	33.3	27.4
1.67	819	626	500	425	367	296	235	177	137	103	74.8	56.9	48.7	41.9	33.2	27.3
1.70	807	618	493	418	361	290	232	175	135	102	74.4	56.5	48.4	41.7	33.0	27.1
1.75	779	598	476	403	347	276	225	170	133	100	73.3	55.6	47.7	41.1	32.5	26.7
1.80	745	574	455	385	329	259	217	165	129	98.4	72.0	54.6	46.9	40.4	31.9	26.2

Constant Current Discharge Data (25°C, A)																
End Voltage (V/cell)	min							h								
	5	10	15	20	25	30	45	1	1.5	2	3	4	5	6	8	10
1.60	494	366	287	240	205	163	127	93.3	71.8	53.6	39.0	29.6	25.2	21.7	17.1	14.0
1.65	485	359	282	235	201	160	125	92.1	71.0	53.1	38.6	29.3	25.0	21.5	16.9	13.9
1.67	478	354	277	232	197	157	123	91.1	70.3	52.7	38.3	29.1	24.8	21.3	16.8	13.8
1.70	469	348	271	227	193	153	121	89.8	69.4	52.1	38.0	28.8	24.6	21.1	16.6	13.7
1.75	447	332	258	216	183	144	116	86.7	67.4	50.9	37.1	28.1	24.0	20.7	16.3	13.4
1.80	422	315	242	203	172	133	111	83.2	65.0	49.4	36.1	27.3	23.4	20.2	15.9	13.0

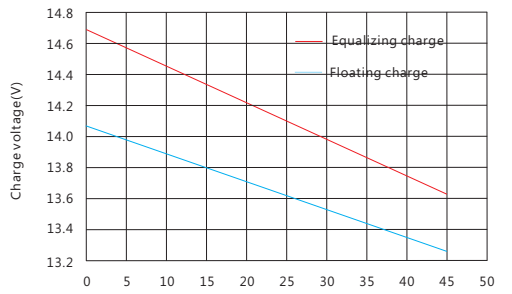
Performance Curve



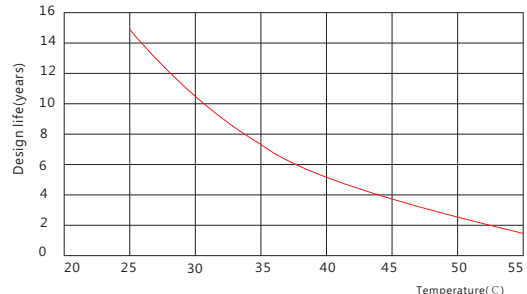
Charge performance



Discharge voltage vs. discharge time



Temperature vs. charge voltage



Design life vs. temperature

Sacred Sun Power Sources Co., Ltd.

Add: No.1 Shengyang Road, Qufu 273100 PRC
Tel: +86-537-4422313 Fax: +86-537-4411980
Email: sales@sacredsun.cn

Sacred Sun Hong Kong Co., Limited

Add: RM 19C Lockhart CTR 301-307 Lockhart RD Wan Chai, Hong Kong
Email: admin.hk@sacredsun.hk

Sacred Sun Asia Pacific Pte Ltd.

Add: 1 Ubi View, #04-12, Focus One, Singapore 408555
Email: admin.sg@sacredsun.sg

Sacred Sun Europe SARL

Add: ZAE Fontaine, 33210 Fargues, France
Email: admin.eu@sacredsun.eu

Sacred Sun MEA FZE

Add: No. 311 office, Building LOB 14, JAFZA, Dubai, UAE
Email: admin.ae@sacredsun.ae