

HPPL Series

HPPL12-425W 12V100Ah

Sacredsun thin plate pure lead (TPPL) series batteries are designed as high power, high energy, long life batteries used in UPS and Telecom, which are fully automatic produced by Con-Casting-Punch-Paste (CCPP) plate manufacture technology, reliable assembly technology and intelligent formation technology. Pure lead grid due to its enhanced corrosion resistance ensures the battery long float service life and the duration at elevated temperature. Thin plate and optimized positive and negative plate active material design provide large chemical reaction surface area, high power density and low resistance cycle.



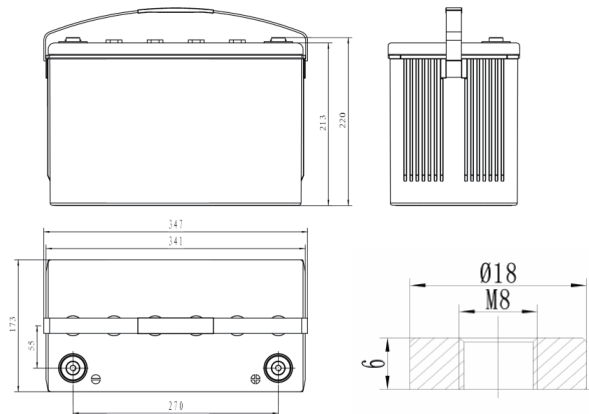
Benefits

- Specially designed for high-rate discharge
- Excellent 5minr discharge performance
- Faster recharge
- High power density
- Design life 15 years at 25 °C (77 °F)
- Shelf life up to 2 years at 25 °C (77 °F)
- Wider operating temperature range: -40 °C to +60 °C (-40 °F to +140 °F)
- Container Material: PC-ABS flame retardant UL94-V0
- Easy and recommended upright installation

Applications

- Uninterruptible Power Supply (UPS)
- Data Centers
- Renewable energy
- Emergency Power Supply (EPS)
- Electrical Facilities

Drawing



Standards

- IEC 60896-21/22: 2004
- JIS C8704-1/2: 2006
- EUROBAT guide

Specifications

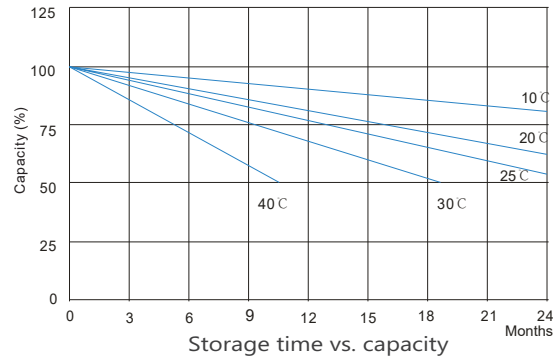
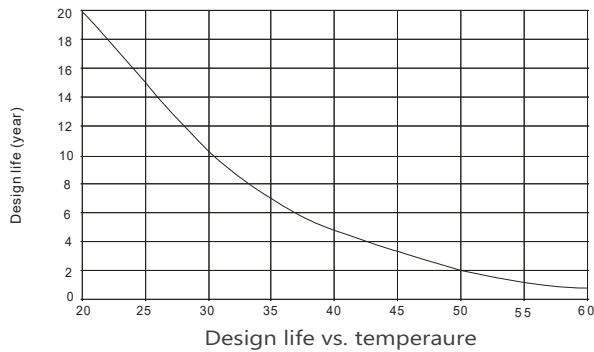
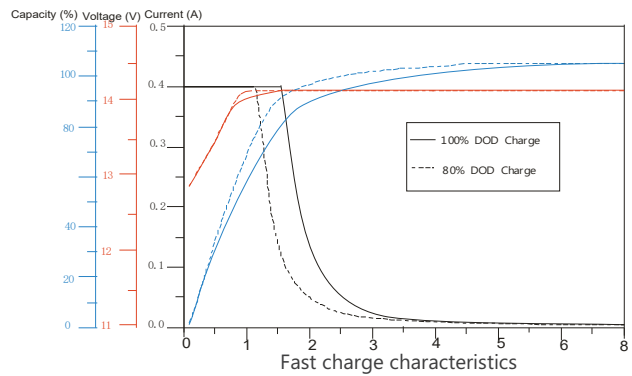
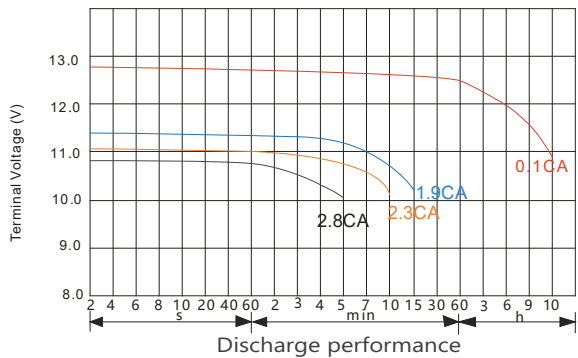
Battery Model	HPPL12-425W			
Design Life (years, 25°C)	15			
Capacity (25°C)	10min (1.67V)	15min (1.67V)	1HR (70.6A, 1.80V)	10HR (10A, 1.80V)
	531.1W/cell	425W/cell	70.6Ah	100Ah
Dimensions (mm)	Length	Width	Height	Total Height
	341	173	213	220
Approx. Weight (kg)	31.1			
Reference Internal Resistance (mΩ)	2.6 (fully charged @ 25°C)			
Maximum Discharge Current (A/5 Sec.)	1200			
Self-Discharge (25°C)	≤ 2 % per month			
Charge Voltage (V/cell, 25°C)	Cycle use		Float use	
	2.35 (-3mV/°C/cell), max charge current: 60A		2.23 (-3mV/°C/cell)	
Short Circuit Current (A)	4800			

Discharge Data

Constant Current Discharge Data (25°C, A)											
End Voltage (V/cell)	min					h					
	10	15	20	30	45	1	2	3	5	8	10
1.60	303.4	233.7	181.9	127.7	93.5	74.7	41.9	29.5	19.6	13.0	10.5
1.65	293.8	227.8	178.2	125.7	92.5	73.9	41.3	29.0	19.3	12.8	10.4
1.67	289.2	225.0	176.4	124.7	92.0	73.5	41.2	28.8	19.1	12.6	10.3
1.70	281.6	220.3	173.2	123.1	91.1	73.0	40.5	28.6	18.9	12.4	10.2
1.75	267.2	211.2	167.2	119.8	89.3	71.9	39.6	28.1	18.5	12.2	10.1
1.80	251.1	200.8	160.2	115.9	87.2	70.6	38.6	27.5	18.1	12.0	10.0

Constant Power Discharge Data (25°C, W/cell)											
End Voltage (V/cell)	min					h					
	10	15	20	30	45	1	2	3	5	8	10
1.60	551.6	437.8	345.0	245.9	182.6	146.8	82.4	58.1	38.8	25.8	20.9
1.65	537.8	429.2	339.4	242.9	181.0	145.7	81.6	57.4	38.4	25.5	20.8
1.67	531.1	425.0	336.6	241.4	180.1	145.3	81.5	57.1	38.1	25.2	20.7
1.70	520.0	417.9	331.8	238.8	178.7	144.4	80.3	56.8	37.9	24.9	20.5
1.75	498.5	403.0	322.6	233.6	175.9	142.6	78.7	56.0	37.2	24.6	20.4
1.80	474.0	387.8	311.6	227.5	172.5	140.4	77.1	55.2	36.4	24.2	20.2

Performance Curve



Sacred Sun Power Sources Co., Ltd.

Add: No.1 Shengyang Road, Qufu 273100 PRC
Tel: +86-537-4422313 Fax: +86-537-4411980
Email: sales@sacredsun.cn

Sacred Sun Hong Kong Co., Limited

Add: RM 19C Lockhart CTR 301-307 Lockhart RD Wan Chai, Hong Kong
Email: admin.hk@sacredsun.hk

Sacred Sun Asia Pacific Pte Ltd.

Add: 1 Ubi View, #04-12, Focus One, Singapore 408555
Email: admin.sg@sacredsun.sg

Sacred Sun Europe SARL

Add: ZAE Fontaine, 33210 Fargues, France
Email: admin.eu@sacredsun.eu

Sacred Sun MEA FZE

Add: No. 311 office, Building LOB 14, JAFZA, Dubai, UAE
Email: admin.ae@sacredsun.ae

Sacred Sun reserves the right to change specifications or design without notice, please keep in touch with us for the latest information.

