

HEPL Series

HEPL12-170F 12V170Ah

Sacredsun thin plate pure lead (TPPL) series batteries are designed as high power, high energy, long life batteries used in UPS and Telecom, which are fully automatic produced by Con-Casting-Punch-Paste (CCPP) plate manufacture technology, reliable assembly technology and intelligent formation technology. Pure lead grid due to its enhanced corrosion resistance ensures the battery long float service life and the duration at elevated temperature. Thin plate and optimized positive and negative plate active material design provide large chemical reaction surface area, high power density and low resistance cycle.



Advantages

- High energy density and cycling performance
- Faster recharge
- Design life 15years at 25°C (77°F)
- Shelf life up to 2 years at 25°C (77°F)
- Wider operating temperature range: -40°C to +60°C (-40°F to +140°F)
- Container Material: PC-ABS flame retardant UL94-V0
- Easy and recommended upright installation

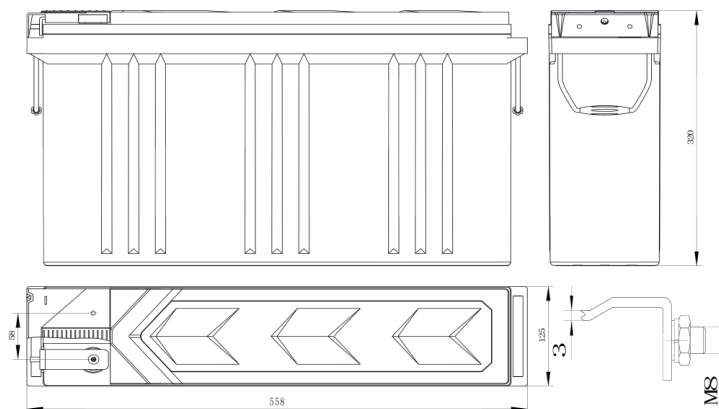
Applications

- Telecommunications
- Power System
- Emergency Power
- Data Centers

Standards

- IEC 60896-21/22: 2004
- BS 6290-4
- EUROBAT guide
- Installation compliant with EN50272-2

Drawing



Specifications

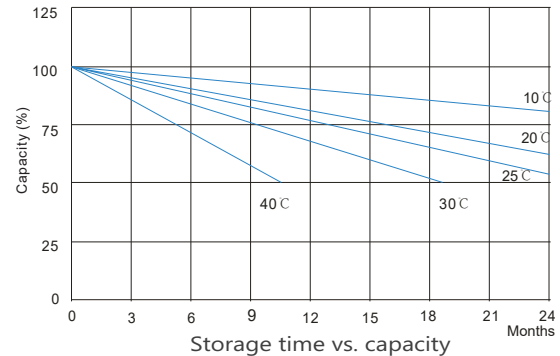
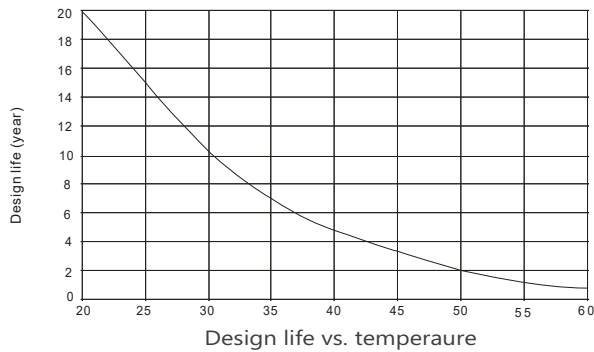
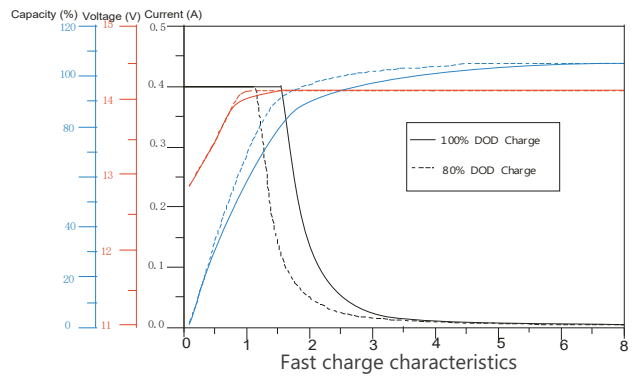
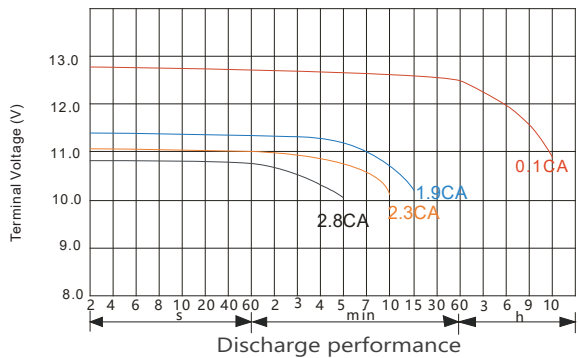
Battery Model	HEPL12-170F			
Design Life (years, 25°C)	15			
Capacity (Ah, 25°C)	1HR (103.1A, 1.80V)	3HR (44.1A, 1.80V)	5HR (31.5A, 1.80V)	10HR (17A, 1.80V)
	103.1	132.3	157.5	170
Dimensions (mm)	Length	Width	Height	Total Height
	558	125	320	320
Approx. Weight (kg)	53.5			
Reference Internal Resistance (mΩ)	2.8 (fully charged @ 25°C)			
Maximum Discharge Current (A/5 Sec.)	2040			
Self-Discharge (25°C)	≤ 2 % per month			
Charge Voltage (V/cell, 25°C)	Cycle use		Float use	
	2.35 (-3mV/°C/cell) max charge current:102A		2.23 (-3mV/°C/cell)	
Short Circuit Current (A)	4500			

Discharge Data

Constant Current Discharge Data (25°C, A)											
End Voltage (V/cell)	min					h					
	10	15	20	30	45	1	2	3	5	8	10
1.60	376.0	300.2	247.7	188.0	140.7	111.5	63.2	45.3	32.6	21.5	17.7
1.65	359.4	289.2	239.9	183.4	138.1	109.8	62.7	45.1	32.4	21.3	17.6
1.67	351.6	284.2	236.4	181.3	136.9	109.1	62.5	45.0	32.2	21.2	17.5
1.70	338.8	275.9	230.6	177.9	134.9	107.9	62.2	44.7	31.9	21.0	17.4
1.75	315.1	260.4	219.7	171.5	131.4	105.6	61.5	44.5	31.6	20.8	17.2
1.80	288.9	243.4	207.6	164.3	127.3	103.1	60.7	44.1	31.5	20.6	17.0

Constant Power Discharge Data (25°C, W/cell)											
End Voltage (V/cell)	min					h					
	10	15	20	30	45	1	2	3	5	8	10
1.60	661.1	540.4	452.9	345.5	261.9	209.9	121.8	88.6	64.0	42.3	35.1
1.65	636.0	524.1	441.5	338.9	258.2	207.6	121.2	88.5	63.8	42.2	35.0
1.67	623.9	516.3	436.0	335.7	256.5	206.6	120.8	88.4	63.7	42.1	35.0
1.70	603.6	503.3	427.0	330.5	253.7	204.7	120.3	88.2	63.5	42.0	34.9
1.75	565.3	478.6	409.8	320.7	248.2	201.4	119.4	88.0	63.3	41.8	34.8
1.80	526.9	450.6	390.2	309.5	242.0	197.6	118.2	87.7	63.0	41.6	34.6

Performance Curve



Sacred Sun Power Sources Co., Ltd.

Add: No.1 Shengyang Road, Qufu 273100 PRC
 Tel: +86-537-4422313 Fax: +86-537-4411980
 Email: sales@sacredsun.cn

Sacred Sun Hong Kong Co., Limited

Add: RM 19C Lockhart CTR 301-307 Lockhart RD Wan Chai, Hong Kong
 Email: admin.hk@sacredsun.hk

Sacred Sun Asia Pacific Pte Ltd.

Add: 1 Ubi View, #04-12, Focus One, Singapore 408555
 Email: admin.sg@sacredsun.sg

Sacred Sun Europe SARRL

Add: ZAE Fontaine, 33210 Fargues, France
 Email: admin.eu@sacredsun.eu

Sacred Sun MEA FZE

Add: No. 311 office, Building LOB 14, JAFZA, Dubai, UAE
 Email: admin.ae@sacredsun.ae

Sacred Sun reserves the right to change specifications or design without notice, please keep in touch with us for the latest information.

