

GFMG Series

GFMG-320 2V320Ah

GFMG VRLA large capacity high power battery uses AGM technology. It has wide & low structure design with low level of electrolyte stratification. GFMG has excellent high current and high power discharge performance. It is suitable for floating and cyclic applications.



Benefits

- Long life according to EUROBAT Classification
- High discharge performance
- 99%+ gas recombination efficiency
- Maximum charge efficiency
- Low self-discharge rate
- Easy installation and handling

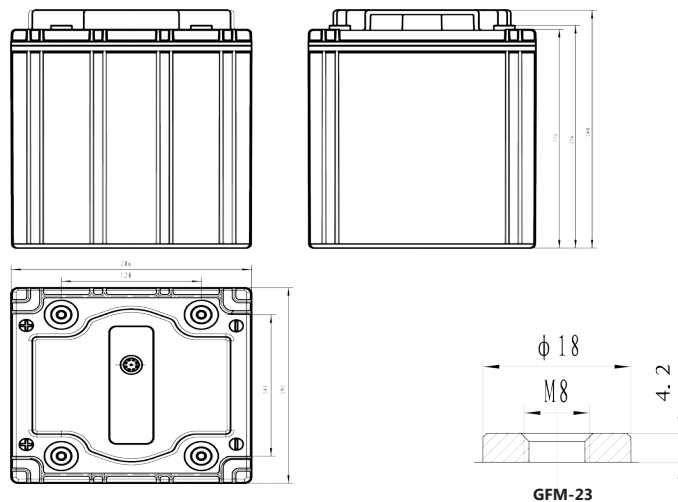
Applications

- Telecommunications
- Emergency power
- UPS units
- Electrical Power plants and substation
- Transportation

Standards

- IEC 60896-21/22
- BS 6290-4
- EUROBAT guide

Drawing



Specifications

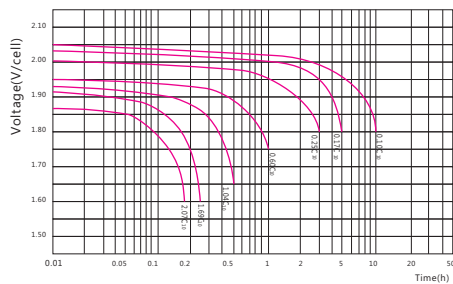
| | | | | |
|--------------------------------------|--|--------------------|-----------------------|------------------|
| Battery Model | GFMG-320 | | | |
| Design Life (years, 25°C) | 12 | | | |
| Capacity (Ah, 25°C) | 10HR (32.0A, 1.80V) | 5HR (56.0A, 1.80V) | 3HR (84.3A, 1.80V) | 1HR(192A, 1.75V) |
| | 320 | 280 | 252.9 | 192 |
| Dimensions (mm) | Length | Width | Height | Total Height |
| | 195 | 206 | 220 | 240 |
| Approx. Weight (kg) | 22.8 | | | |
| Reference Internal Resistance (mΩ) | 0.47 (full charged @ 25°C) | | | |
| Maximum Discharge Current (A/5 Sec.) | 1700 | | | |
| Self-Discharge (25°C) | ≤ 1% per month | | | |
| Charge Voltage (V/cell, 25°C) | Cycle use | | Float use | |
| | 2.35 (-3.5mV/°C/cell), max charge current: 48A | | 2.25 (-3.5mV/°C/cell) | |
| Short Circuit Current (A) | 4500 | | | |

Discharge Data

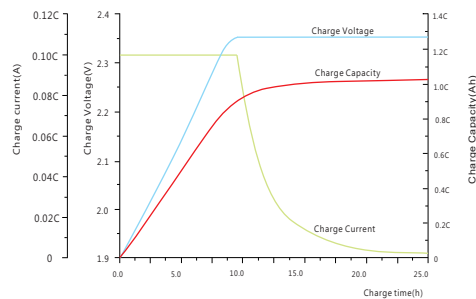
| Constant Current Discharge Data (25°C, A) | | | | | | | | | | | | | | |
|---|-----|-----|-----|-----|-----|-----|-----|-----|-----|-----|------|------|------|------|
| End Voltage (V/cell) | min | | | | | | | h | | | | | | |
| | 5 | 10 | 15 | 20 | 30 | 40 | 50 | 1 | 1.5 | 2 | 3 | 5 | 8 | 10 |
| 1.60 | 874 | 664 | 541 | 459 | 352 | 285 | 239 | 204 | 155 | 125 | 89.5 | 58.8 | 40.7 | 33.1 |
| 1.65 | 794 | 609 | 500 | 427 | 332 | 272 | 229 | 201 | 151 | 123 | 88.2 | 58.1 | 40.3 | 32.9 |
| 1.67 | 761 | 584 | 482 | 413 | 323 | 265 | 224 | 198 | 150 | 122 | 87.7 | 57.8 | 40.2 | 32.8 |
| 1.70 | 725 | 558 | 463 | 398 | 313 | 258 | 219 | 195 | 148 | 120 | 87 | 57.4 | 39.9 | 32.6 |
| 1.75 | 634 | 514 | 436 | 379 | 303 | 251 | 214 | 192 | 145 | 118 | 85.6 | 56.7 | 39.5 | 32.4 |
| 1.80 | 557 | 476 | 411 | 362 | 291 | 243 | 208 | 184 | 141 | 116 | 84.3 | 56.0 | 39.1 | 32.0 |

| Constant Power Discharge Data (25°C, W/cell) | | | | | | | | | | | | | | |
|--|------|------|-----|-----|-----|-----|-----|-----|-----|-----|-----|-----|------|------|
| End Voltage (V/cell) | min | | | | | | | h | | | | | | |
| | 5 | 10 | 15 | 20 | 30 | 40 | 50 | 1 | 1.5 | 2 | 3 | 5 | 8 | 10 |
| 1.60 | 1273 | 1077 | 894 | 779 | 593 | 481 | 411 | 359 | 277 | 227 | 164 | 109 | 78.2 | 63.7 |
| 1.65 | 1169 | 978 | 819 | 718 | 551 | 453 | 390 | 347 | 266 | 219 | 159 | 107 | 77.3 | 62.6 |
| 1.67 | 1106 | 944 | 794 | 699 | 531 | 441 | 380 | 342 | 263 | 216 | 158 | 106 | 77 | 62.4 |
| 1.70 | 1032 | 896 | 762 | 672 | 514 | 429 | 369 | 337 | 260 | 213 | 156 | 105 | 76.3 | 62.0 |
| 1.75 | 925 | 829 | 710 | 625 | 482 | 403 | 353 | 321 | 252 | 208 | 153 | 103 | 75.3 | 61.2 |
| 1.80 | 850 | 760 | 651 | 575 | 452 | 381 | 340 | 306 | 245 | 202 | 150 | 102 | 74.3 | 60.3 |

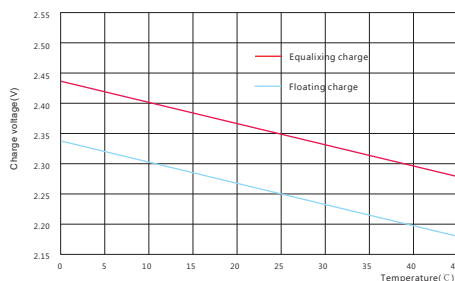
Performance Curve



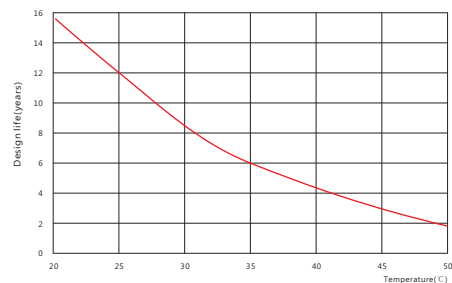
Discharge voltage vs. discharge time



Charge capacity vs. charge time



Charge capacity vs. temperature



Design life vs. temperature

Sacred Sun Power Sources Co., Ltd.

Add: No.1 Shengyang Road, Qufu 273100 PRC
Tel: +86-537-4422313 Fax: +86-537-4411980
Email: sales@sacredsun.cn

Sacred Sun Hong Kong Co., Limited

Add: RM 19C Lockhart CTR 301-307 Lockhart RD Wan Chai, Hong Kong
Email: admin.hk@sacredsun.hk

Sacred Sun Asia Pacific Pte Ltd.

Add: 1 Ubi View, #04-12, Focus One, Singapore 408555
Email: admin.sg@sacredsun.sg

Sacred Sun Europe SARL

Add: ZAE Fontaine, 33210 Fargues, France
Email: admin.eu@sacredsun.eu

Sacred Sun MEA FZE

Add: No. 311 office, Building LOB 14, JAFZA, Dubai, UAE
Email: admin.ae@sacredsun.ae

