

GFM-C Series

GFM-600C 2V600Ah

GFM-C series VRLA battery uses latest AGM technology, high purity raw materials and many patented technologies that ensure its long floating and cycle life, it is applicable to less frequency of power failure, and shallow discharge of depth site. It is mainly used for indoor telecommunication base station.

Benefits

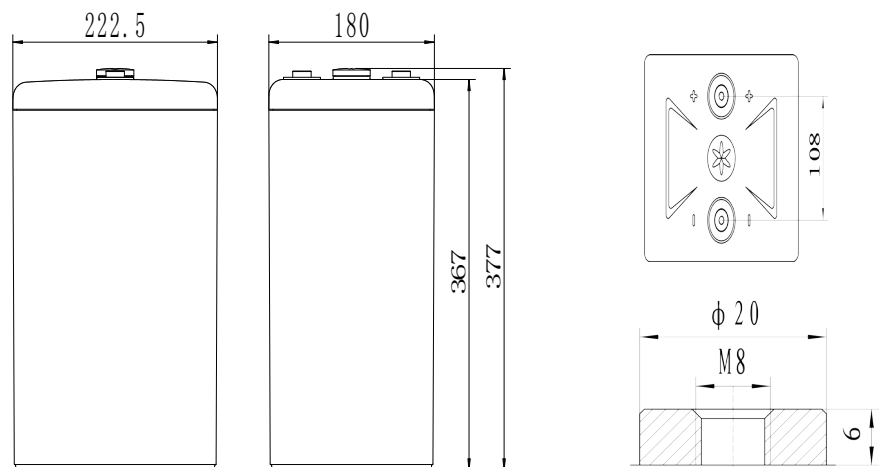
- Long life according to EUROBAT Classification
- High discharge performance
- 99%+ gas recombination efficiency
- Maximum charge efficiency
- Low self-discharge rate
- Horizontal installization



Applications

- Telecommunications
- Power system
- UPS
- Emergency power

Drawing



GFM-21

Standards

- IEC 60896-21/22
- JIS C8704-1/2
- EUROBAT guide

Specifications

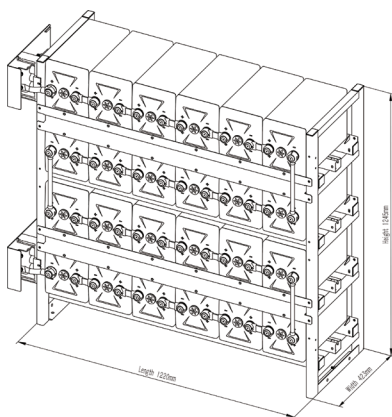
| | | | | |
|--------------------------------------|--|-------------------|-----------------------|-------------------|
| Battery Model | GFM-600C | | | |
| Design Life (years, 25°C) | 15 | | | |
| Capacity (Ah, 25°C) | 10HR (60A, 1.80V) | 5HR (102A, 1.80V) | 3HR (150A, 1.80V) | 1HR (330A, 1.75V) |
| | 600 | 510 | 450 | 330 |
| Dimensions (mm) | Length | Width | Height | Total Height |
| | 225.5 | 180 | 367 | 377 |
| Approx. Weight (kg) | 33.5 | | | |
| Reference Internal Resistance (mΩ) | 0.34 (fully charged @ 25°C) | | | |
| Maximum Discharge Current (A/5 Sec.) | 2100 | | | |
| Self-Discharge (25°C) | ≤ 1.5% per months | | | |
| Charge Voltage (V/cell, 25°C) | Cycle use | | Float use | |
| | 2.35 (-3.5mV/°C/cell), max charge current: 90A | | 2.25 (-3.5mV/°C/cell) | |
| Short Circuit Current (A) | 5300 | | | |

Discharge Data

| Constant Current Discharge Data (25°C, A) | | | | | | | | | | | | | | | |
|---|-----|-----|-----|-----|-----|-----|-----|-----|-----|-----|-----|-----|------|------|------|
| End Voltage (V/cell) | min | | | | | | | h | | | | | | | |
| | 5 | 10 | 15 | 20 | 30 | 40 | 50 | 1 | 1.5 | 2 | 3 | 5 | 8 | 10 | 24 |
| 1.60 | 912 | 840 | 786 | 708 | 576 | 528 | 450 | 408 | 319 | 235 | 174 | 119 | 81.6 | 66.0 | 28.6 |
| 1.65 | 852 | 786 | 732 | 660 | 534 | 480 | 420 | 384 | 294 | 226 | 68 | 114 | 79.2 | 64.8 | 28.1 |
| 1.70 | 774 | 708 | 648 | 600 | 492 | 438 | 396 | 360 | 274 | 216 | 162 | 109 | 76.8 | 63.4 | 28.1 |
| 1.75 | 702 | 624 | 564 | 516 | 450 | 402 | 360 | 330 | 252 | 204 | 156 | 106 | 74.4 | 61.8 | 27.2 |
| 1.80 | 600 | 552 | 504 | 468 | 408 | 366 | 330 | 300 | 235 | 192 | 150 | 102 | 72.0 | 60.0 | 26.5 |

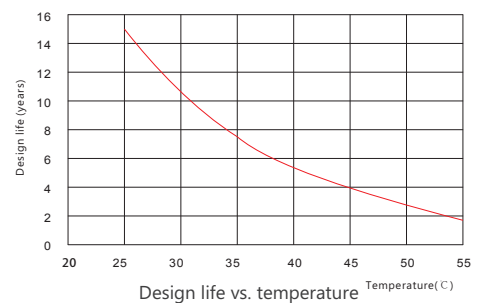
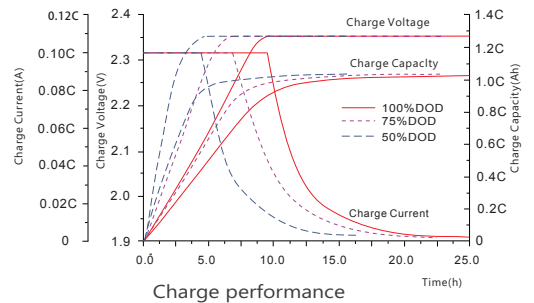
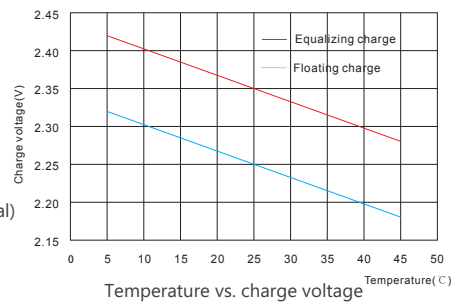
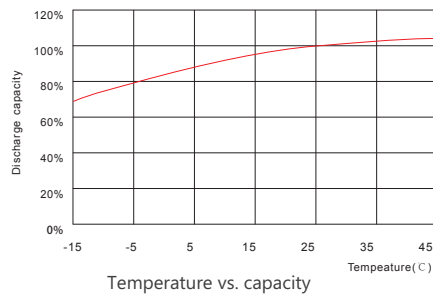
| Constant Power Discharge Data (25°C, W/cell) | | | | | | | | | | | | | | | |
|--|------|------|------|------|------|-----|-----|-----|-----|-----|-----|-----|-----|-----|------|
| End Voltage (V/cell) | min | | | | | | | h | | | | | | | |
| | 5 | 10 | 15 | 20 | 30 | 40 | 50 | 1 | 1.5 | 2 | 3 | 5 | 8 | 10 | 24 |
| 1.60 | 1564 | 1456 | 1373 | 1242 | 1017 | 937 | 802 | 730 | 575 | 427 | 318 | 220 | 153 | 124 | 55.7 |
| 1.65 | 1492 | 1391 | 1304 | 1181 | 962 | 869 | 763 | 700 | 538 | 417 | 313 | 214 | 151 | 124 | 55.3 |
| 1.70 | 1383 | 1278 | 1177 | 1094 | 904 | 808 | 734 | 669 | 512 | 406 | 307 | 209 | 148 | 123 | 54.9 |
| 1.75 | 1280 | 1149 | 1044 | 959 | 842 | 756 | 679 | 624 | 479 | 390 | 300 | 205 | 145 | 121 | 53.7 |
| 1.80 | 1111 | 1032 | 947 | 883 | 774 | 697 | 630 | 575 | 452 | 371 | 291 | 199 | 141 | 118 | 52.5 |

Rack Layout



48V Standard Rack (Anti-seismic rack is optional)
 Rack material: powder-coated steel
 Height*width: 6*4/4*6 (optional)
 Ref. GFM-600C Rack (approx. weight: 892kg)

Performance Curve



Sacred Sun Power Sources Co., Ltd.

Add: No.1 Shengyang Road, Qufu 273100 PRC
 Tel: +86-537-4422313 Fax: +86-537-4411980
 Email: sales@sacredsun.cn

Sacred Sun Hong Kong Co., Limited

Add: RM 19C Lockhart CTR 301-307 Lockhart RD Wan Chai, Hong Kong
 Email: admin.hk@sacredsun.hk

Sacred Sun Asia Pacific Pte Ltd.

Add: 1 Ubi View, #04-12, Focus One, Singapore 408555
 Email: admin.sg@sacredsun.sg

Sacred Sun Europe SARRL

Add: ZAE Fontaine, 33210 Fargues, France
 Email: admin.eu@sacredsun.eu

Sacred Sun MEA FZE

Add: No. 311 office, Building LOB 14, JAFZA, Dubai, UAE
 Email: admin.ae@sacredsun.ae

